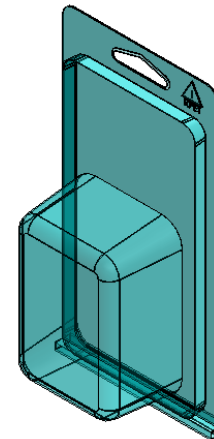
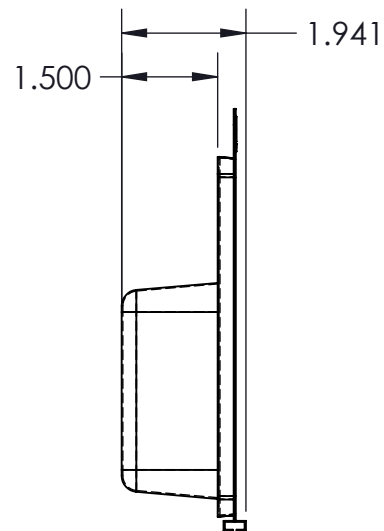
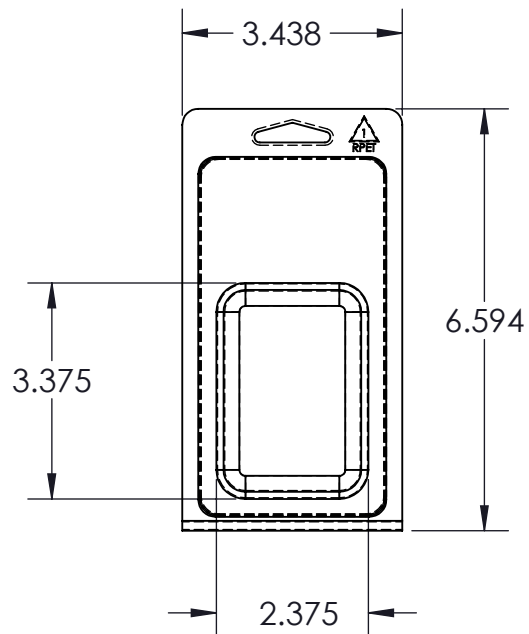



OPEN CLAMSHELL



| | | | | |
|---|---|-------------------------|---|------|
| <p>NOTE: ALL MATERIAL THICKNESS IS $\pm 10\%$ PRIOR TO FORMING DRAFT ANGLES 5° TYP. ALL DIMENSIONS $\pm .025$ UNLESS NOTED FLANGE $\pm .047$</p> | INFORMATION CONTAINED IN THIS DRAWING IS CONFIDENTIAL AND IS THE PROPERTY OF ANDEX | | | |
| |  1911 FOURTH AVE. NORTH ESCANABA, MI 49829 | | CUSTOMER ANDEX STOCK | |
| | | | DESCRIPTION CLAMSHELL, 1.5 DP | |
| | DRAWN: J. HOLM | SIZE: A | DWG # 5003 | REV: |
| DATE: 12/13/2013 | SCALE: 1:3 | MAT: 20 MIL RPET | SHEET: 1 OF 1 | |