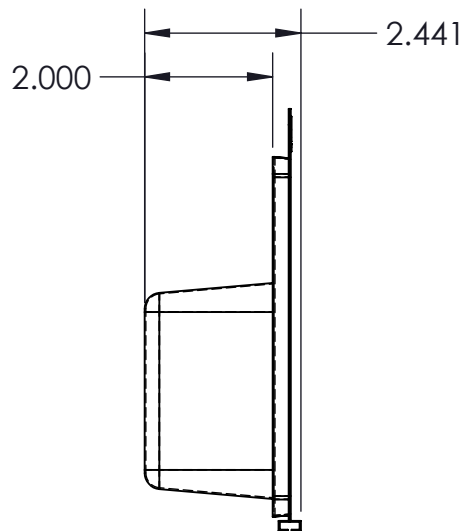
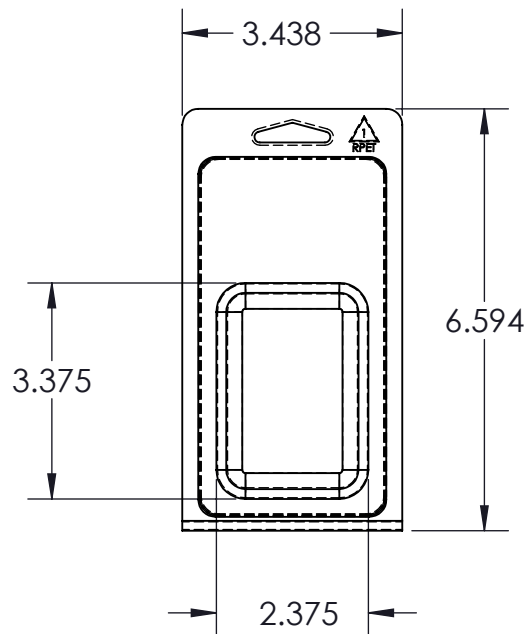


OPEN CLAMSHELL



NOTE:  
 ALL MATERIAL THICKNESS IS  $\pm 10\%$  PRIOR TO FORMING  
 DRAFT ANGLES  $5^\circ$  TYP.  
 ALL DIMENSIONS  $\pm .025$  UNLESS NOTED  
 FLANGE  $\pm .047$

INFORMATION CONTAINED IN THIS DRAWING IS CONFIDENTIAL AND IS THE PROPERTY OF ANDEX



CUSTOMER  
**ANDEX STOCK**

DESCRIPTION  
**CLAMSHELL, 2.0 DP**

DRAWN: J. HOLM	SIZE: A	DWG # 5004	REV:
DATE: 12/13/2013	SCALE: 1:3	MAT: 20 MIL RPET	SHEET: 1 OF 1