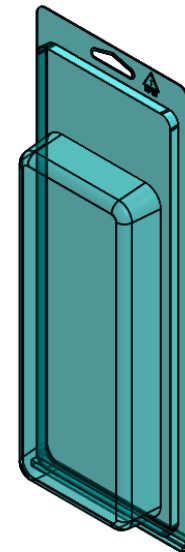
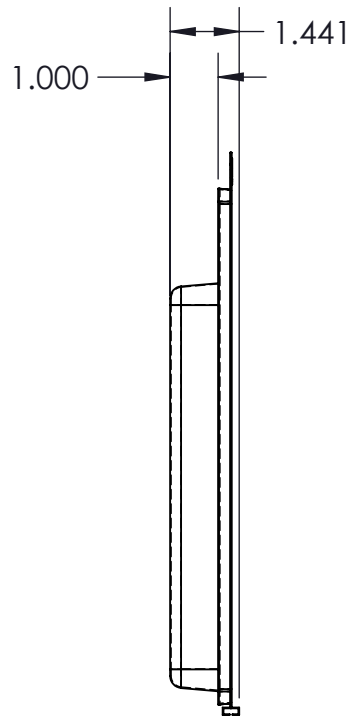
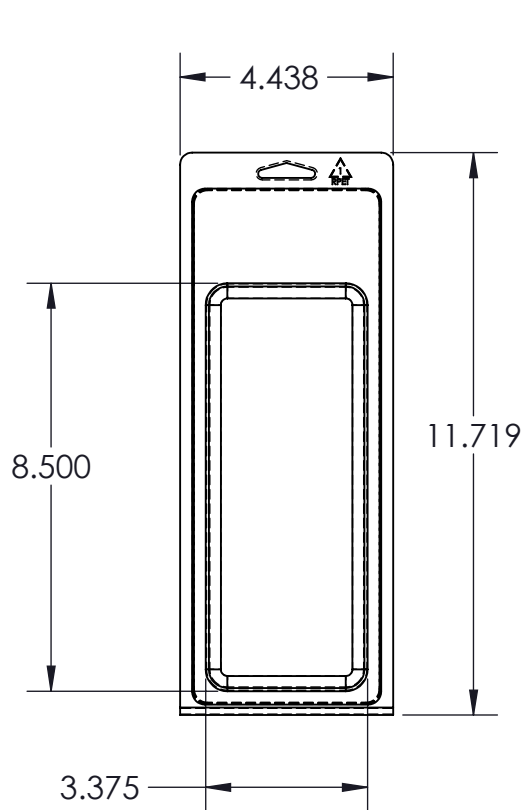


OPEN CLAMSHELL



NOTE:
 ALL MATERIAL THICKNESS IS $\pm 10\%$ PRIOR TO FORMING
 DRAFT ANGLES 5° TYP.
 ALL DIMENSIONS $\pm .025$ UNLESS NOTED
 FLANGE $\pm .047$

INFORMATION CONTAINED IN THIS DRAWING IS CONFIDENTIAL AND IS THE PROPERTY OF ANDEX



1911 FOURTH AVE. NORTH
 ESCANABA, MI 49829

CUSTOMER
ANDEX STOCK

DESCRIPTION
CLAMSHELL, 1.0 DP

DRAWN: **J. HOLM**

SIZE: **A**

DWG # **5032**

REV:

DATE: **12/13/2013**

SCALE: **1:4**

MAT: **20 MIL RPET**

SHEET: **1 OF 1**