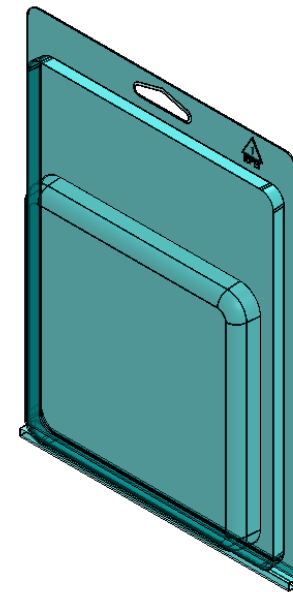
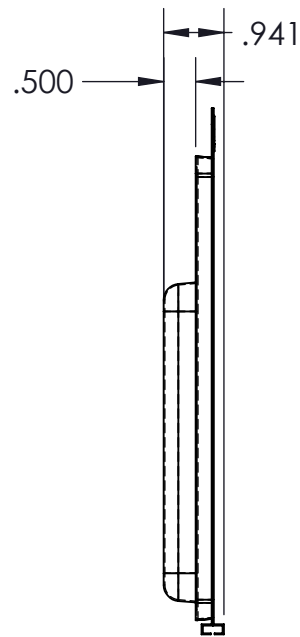
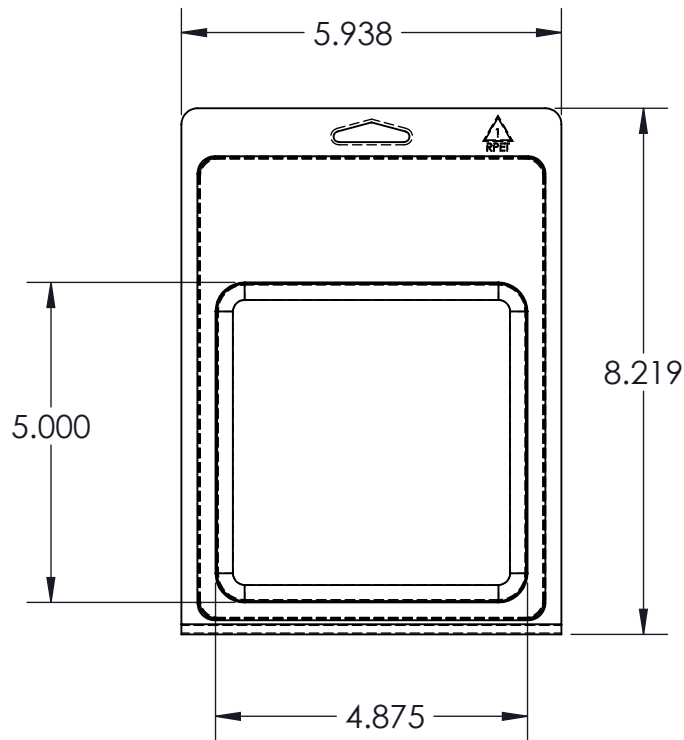


OPEN CLAMSHELL



NOTE:  
 ALL MATERIAL THICKNESS IS  $\pm 10\%$  PRIOR TO FORMING  
 DRAFT ANGLES  $5^\circ$  TYP.  
 ALL DIMENSIONS  $\pm .025$  UNLESS NOTED  
 FLANGE  $\pm .047$

INFORMATION CONTAINED IN THIS DRAWING IS CONFIDENTIAL AND IS THE PROPERTY OF ANDEX



CUSTOMER **ANDEX STOCK**

DESCRIPTION **CLAMSHELL, .50 DP**

DRAWN: <b>J. HOLM</b>	SIZE: <b>A</b>	DWG # <b>5041</b>	REV:
DATE: <b>12/13/2013</b>	SCALE: <b>1:3</b>	MAT: <b>20 MIL RPET</b>	SHEET: <b>1 OF 1</b>