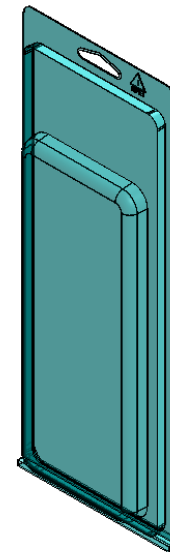
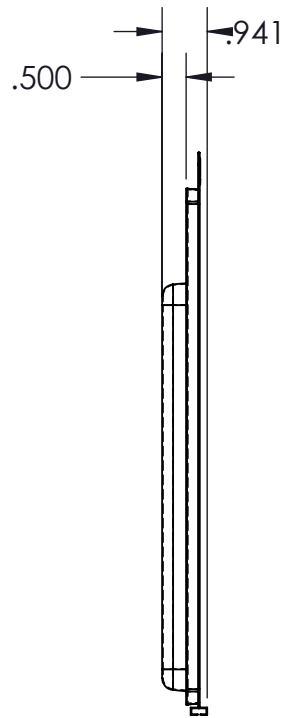
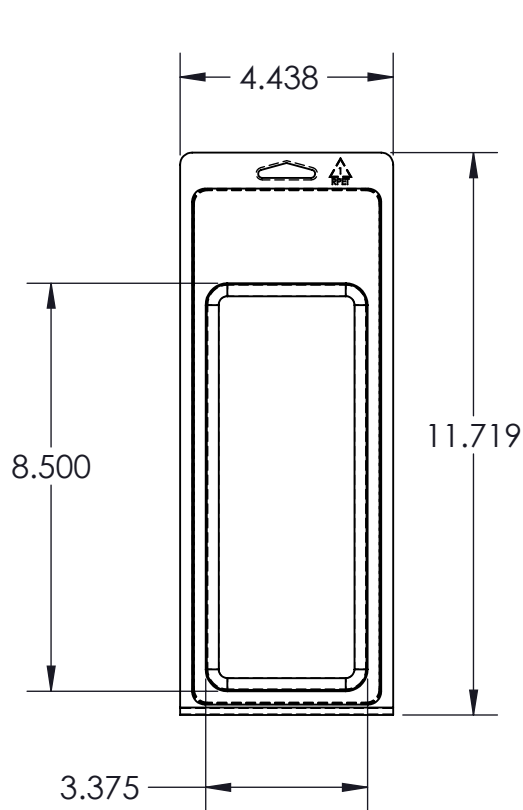



OPEN CLAMSHELL



<p>NOTE: ALL MATERIAL THICKNESS IS $\pm 10\%$ PRIOR TO FORMING DRAFT ANGLES 5° TYP. ALL DIMENSIONS $\pm .025$ UNLESS NOTED FLANGE $\pm .047$</p>	<p>INFORMATION CONTAINED IN THIS DRAWING IS CONFIDENTIAL AND IS THE PROPERTY OF ANDEX</p>			
			<p>CUSTOMER ANDEX STOCK</p>	
	<p>1911 FOURTH AVE. NORTH ESCANABA, MI 49829</p>		<p>DESCRIPTION CLAMSHELL, .50 DP</p>	
	<p>DRAWN: J. HOLM</p>	<p>SIZE: A</p>	<p>DWG # 5031</p>	<p>REV:</p>
<p>DATE: 12/13/2013</p>	<p>SCALE: 1:4</p>	<p>MAT: 20 MIL RPET</p>	<p>SHEET: 1 OF 1</p>	