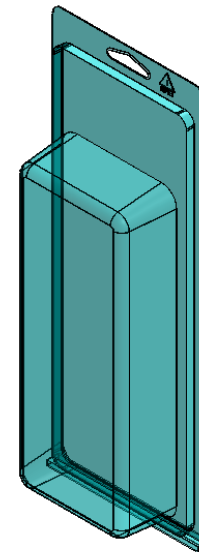
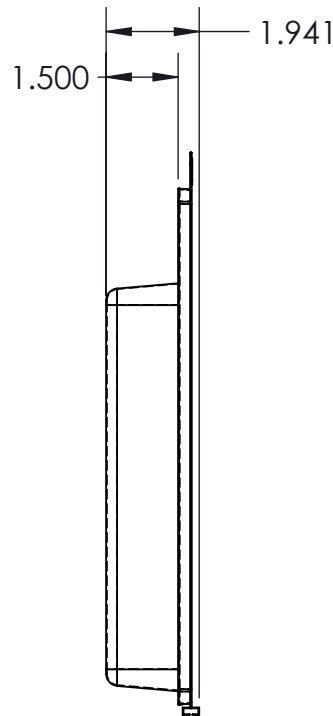
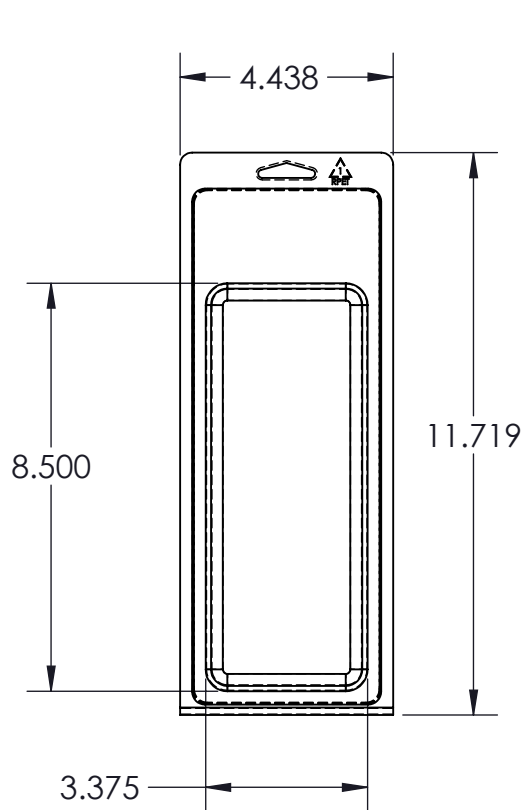



OPEN CLAMSHELL



|   |   |                         |   |      |
|---|---|-------------------------|---|------|
| <p>NOTE:<br/>ALL MATERIAL THICKNESS IS <math>\pm 10\%</math> PRIOR TO FORMING<br/>DRAFT ANGLES <math>5^\circ</math> TYP.<br/>ALL DIMENSIONS <math>\pm .025</math> UNLESS NOTED<br/>FLANGE <math>\pm .047</math></p> | INFORMATION CONTAINED IN THIS DRAWING IS CONFIDENTIAL AND IS THE PROPERTY OF ANDEX  |                         |   |      |
|   | <br>1911 FOURTH AVE. NORTH<br>ESCANABA, MI 49829 |                         | CUSTOMER<br><b>ANDEX STOCK</b>          |      |
|   |   |                         | DESCRIPTION<br><b>CLAMSHELL, 1.5 DP</b> |      |
|   | DRAWN: <b>J. HOLM</b>   | SIZE: <b>A</b>          | DWG # <b>5033</b>                       | REV: |
| DATE: <b>12/13/2013</b>   | SCALE: <b>1:4</b>   | MAT: <b>20 MIL RPET</b> | SHEET: <b>1 OF 1</b>                    |      |