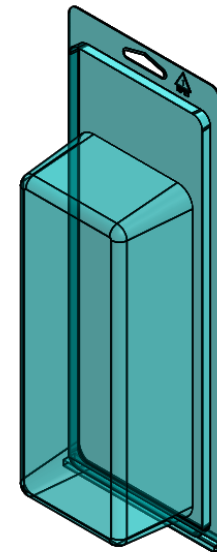
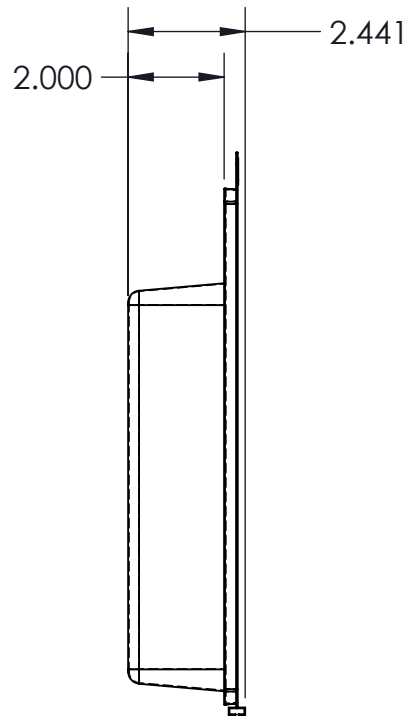
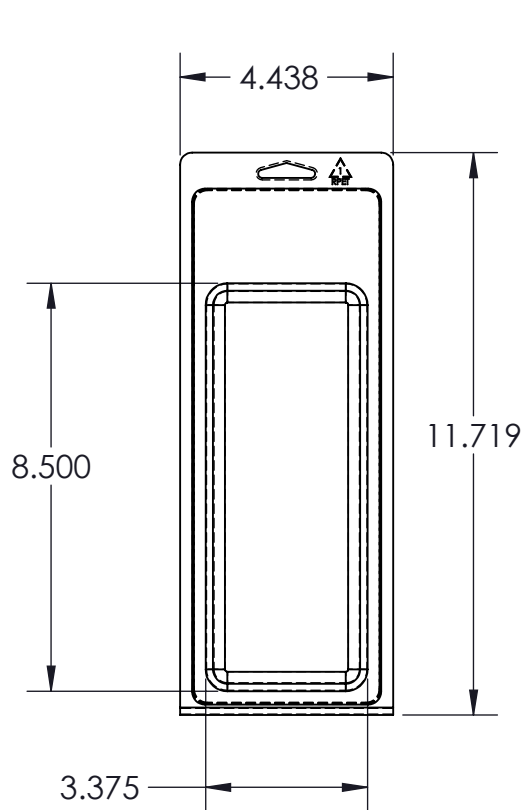



OPEN CLAMSHELL



NOTE:
 ALL MATERIAL THICKNESS IS $\pm 10\%$ PRIOR TO FORMING
 DRAFT ANGLES 5° TYP.
 ALL DIMENSIONS $\pm .025$ UNLESS NOTED
 FLANGE $\pm .047$

INFORMATION CONTAINED IN THIS DRAWING IS CONFIDENTIAL AND IS THE PROPERTY OF ANDEX			
 1911 FOURTH AVE. NORTH ESCANABA, MI 49829	CUSTOMER ANDEX STOCK		
	DESCRIPTION CLAMSHELL, 2.0 DP		
DRAWN: J. HOLM	SIZE: A	DWG # 5034	REV:
DATE: 12/13/2013	SCALE: 1:4	MAT: 20 MIL RPET	SHEET: 1 OF 1